

## Expert Group: Identification of Connection Requirements for Offshore Grids (EG CROS)

- Terms of reference
- Phase I outcome
- Process for the approval of the Phase I report

# ToR of the EG CROS

# ToR of the EG CROS

## Deliverables of phase 1:

1. Provide the ToR for the subsequent phase 2 of the follow up work to be done under the GC ESC
2. Provide a short paper with main points and observations from phase 1 (Annex to the ToR of EG Offshore - phase 2)
3. Provide a mapping of currently existing transmission topologies for the integration of offshore technologies
4. Provide a list of standards, including adoptable for offshore purpose (list to be completed in phase 2)
5. Identify relevant stakeholders for the identified issues to take part in Phase 2

## Duration of the EG:

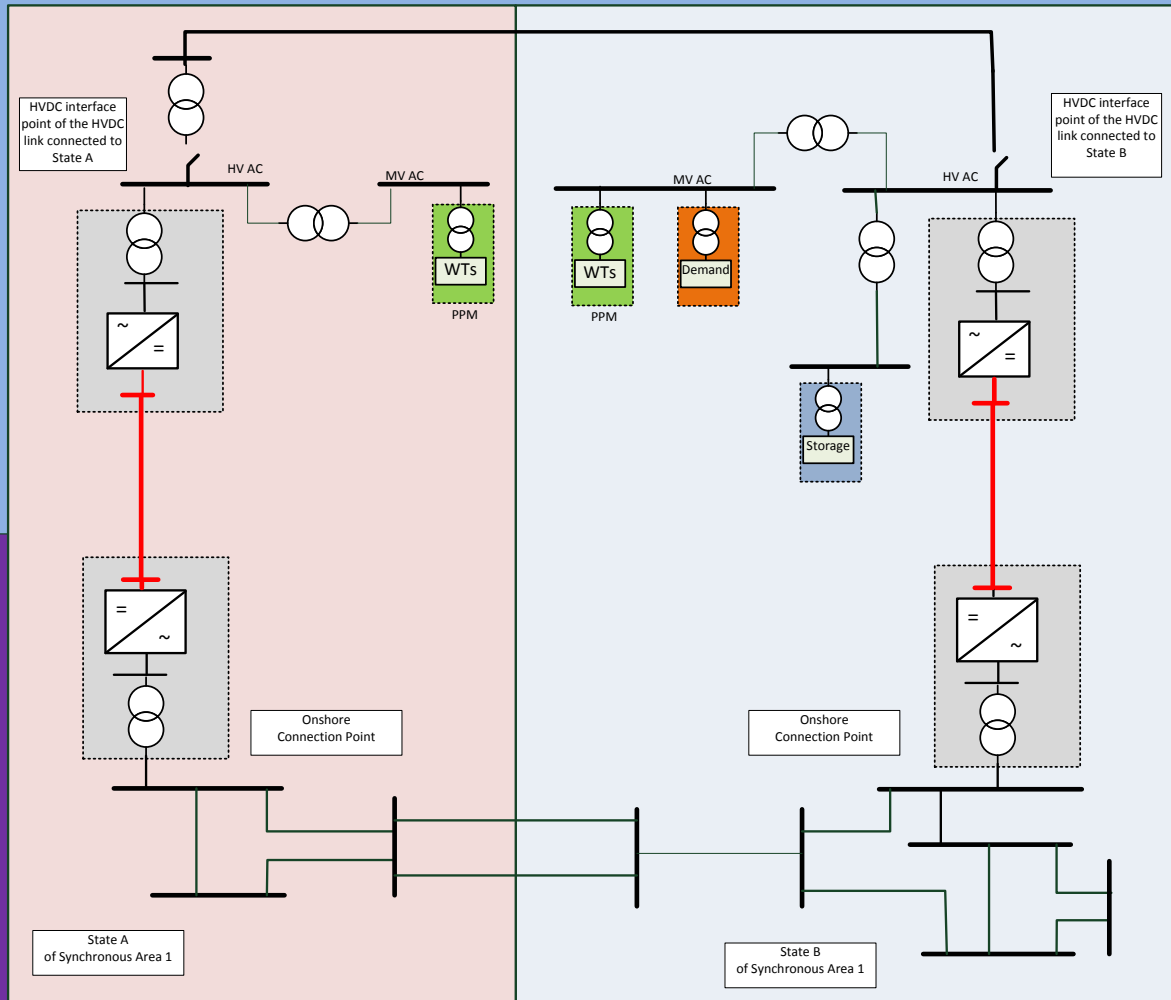
- Estimated 3-4 months from January 2022.

## Estimated workload

- biweekly webinars
- commitment of total 8 days per member (aprx. 40hours).

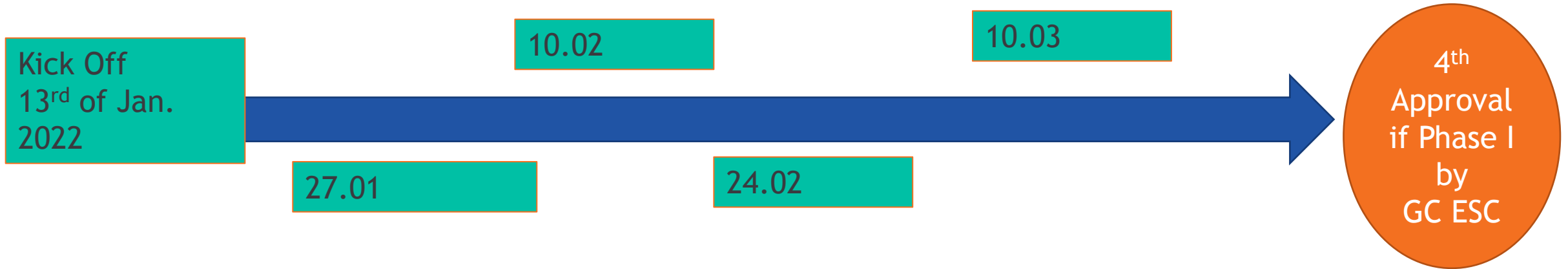
# Identified topics and issues to be detailed in the Phase II (starting in April)

# Identified important gaps of the NC HVDC



- The NC HVDC should be extended to be applicable for DC connected demand facilities and DC connected electricity storage modules.
- The expert group proposes to define minimum grid forming capabilities offered by DC connected PPMs.
  - Under this topic, the expert group proposes to discuss the complete control chain starting from the onshore connection point of the HVDC station down to the remote-end HVDC station and the DC connected PPMs.
- The topic of forced tower oscillations is not covered in the existing NC HVDC neither NC RfG and is recommended to be assessed in a follow up phase of this EG.
- The Phase II of EG CROS should assess the current state of the play in the way EMT models are exchanged in the form of DLL based models. The expert group should pick up the recommendations made in the EG ISSM, chapter 5.7.

## Timeline of the EG CROS Phase II



- The draft of the EC CROS phase I will be submitted for approval to the GC ESC on 25th of March
- Once the report of the Phase I is approved, the Phase II will be kicked off.